



Acme Sanitary Ware Co. Ltd.

1/F, Acme Building, 22-28 Nanking Street, Kowloon, Hong Kong
 Tel: 2388 7171 Fax: 2710 8012
 Email: acme@acmesanitary.com.hk
 Website: www.acmesanitary.com.hk

PROJECT		REF		REV	ITEM CODE	
LOCATION		DATE			PAGE	

SANITARY WARE SPECIFICATION SHEET

Item Descriptions	Bobrick (USA) Polyethylene and ABS plastic counter-mounted automatic liquid soap dispenser in polished brass finish AC supply	
Dimensions	L100 x W170 x H505 mm	
Model	B-850	
Material/ Finish	Polyethylene and ABS plastic/ Polished Brass	
Manufacturer	Bobrick Washroom Equipment Inc. (USA)	
Supplier	Acme Sanitary Ware Co. Ltd Mr. Eric Wong/ Mr. Don Yuen	
Contact Tel/Fax	(852) 2388-7171 / (852) 2710-8012	
E-mail	acme@acmesanitary.com.hk	
Website	www.acmesanitary.com.hk	

MATERIALS: Spout and Stem Assembly — Above the counter - durable die cast zinc, available in five finishes:

Finish Type	Liquid
Polished Brass*	B-850
Matte Black*	B-852
Brushed Nickel	B-855
Polished Nickel	B-856
Polished Chrome	B-858



B-850 Polished Brass



B-852 Matte Black



B-855 Brushed Nickel



B-856 Polished Nickel



B-858 Polished Chrome

Unit equipped with a spring loaded 180° rotatable lid with concealed locking mechanism for top filling. Rotatable lid mechanism consists of metal components. Integrated to Spout are a grey plastic Dispense Tip and Activation Lens Housing. Delrin Stem connects to Plastic Bottle.

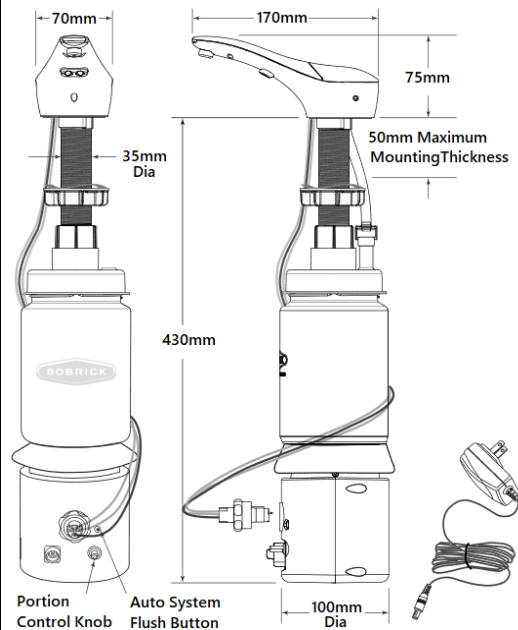
Soap Bottle — Translucent, shatter-resistant high-density polyethylene. Capacity: 34-fl oz (1.0-L).

Pump and Soap Delivery System — A plastic Gear Pump submerged in the bottom of the Bottle, pumps the liquid soap through a vinyl tube to spout.

Bottom Housing — Water-resistant, ABS plastic housing attached to the bottom of the Bottle houses the PC Board, motor that drives the Gear Pump, and the Gear Pump Housing. It includes a Portion Control Knob, Flush Button to allow for system cleaning and maintenance, a connector for the Fiber Optic cables, and Power Port.

Electronic Activation/Indication System — Pair of plastic Fiber Optic cables connects the plastic Activation Lenses to an IR Sensor located on a PC Board in the Bottom Housing. A third plastic Fiber Optic cable connects an LED located on the PC Board to an acrylic Lens at the tip of the Spout. All three cables are Integrated into one Fiber Optic Connector Tip for ease of installation.

6V AC Adapter — 6V AC Adapter with U.S. Plug comes standard.



Note:

* All information of the above is for the reference only. No prior notice is made if any changes.



Acme Sanitary Ware Co. Ltd.

1/F, Acme Building, 22-28 Nanking Street, Kowloon, Hong Kong
 Tel: 2388 7171 Fax: 2710 8012
 Email: acme@acmesanitary.com.hk
 Website: www.acmesanitary.com.hk

PROJECT		REF		REV	ITEM CODE	
LOCATION		DATE			PAGE	

SANITARY WARE SPECIFICATION SHEET

OPERATION: To fill dispenser, insert tip of standard BobKey provided into opening of the concealed locking mechanism in the Spout Assembly with spout body to disengage door for quick and easy top filling. Lid will rotate open for filling dispenser with bulk liquid hand soap only. Rotate door counter-clockwise to close and lock in place.

To activate dispenser, place hand under spout near the sensor for approximately 1/2 second. Spout dispenses adjustable amount (adjustment range approximately .4 to 3ml) of liquid hand soap of various viscosities ranging from 100 to 19,000 cP (centipoise).

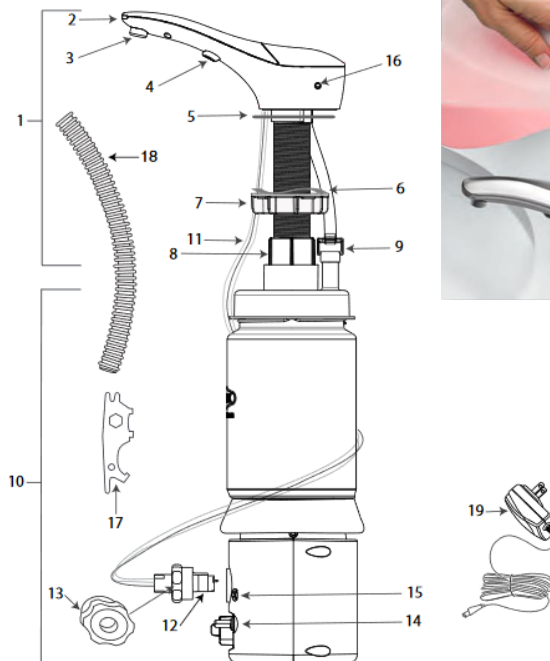
LED Lights
Flash Green → Standby mode
No Light → During activation
Flash Red → Object remains in activation zone after single activation

INSTALLATION: Unit is designed for installation into counters up to 2" (50mm) maximum thickness with 1-3/8" (35mm) diameter mounting hole. Unit may be mounted through special hole requisitioned when lavatory is ordered from manufacturer (specify hole location). Recommended mounting location is between 6" to 8" (150 to 205mm) from back wall and 3" (75mm) from the sink rim to the center of the mounting hole. Minimum 18" (455mm) vertical and 5" (125mm) diameter clearance required for soap bottle and bottom housing below mounting hole. Plug AC Adapter into wall and end plug into power port on bottom housing.

SPECIFICATIONS: Designer Series Counter-Mounted Automatic Liquid Soap Dispenser shall dispense adjustable amount .4 to 3ml of commercially marketed all-purpose bulk liquid hand soaps, do not use iodine based or alcohol based soaps or sanitizers. Spout assembly shall be die cast zinc, with one of four finishes. Stem is integrated with spout and shall be Delrin plastic and accommodate up to 2" (50mm) thick counter tops. Unit shall be equipped with oversized funnel shape opening, covered by a 180° rotatable lid with concealed locking mechanism to allow for top filling. Unit shall have LED indicators to show unit is ready for activation. Unit shall have IR Sensor located on PC board housed in a water-resistant plastic housing. Activation Lens shall allow for defined activation range to eliminate chance of false activation during hand washing. Portion Control Knob shall allow field adjustment of desired volume of soap dispensed per hand wash. Unit shall be equipped with an Automatic System Flush Button to allow for cleaning and maintenance. Comes with 6V AC adapter.

Unit Diagram:

- | Item | Description |
|------|---|
| 1 | Top Assembly with Spout, Door and Stem |
| 2 | LED Light Pipe |
| 3 | Liquid Nozzle Tip |
| 4 | Fiber Optic Insert with Sensor Lenses |
| 5 | Rubber Counter Gasket |
| 6 | Wave Washer |
| 7 | Mounting Nut |
| 8 | Stem Mounting Nut |
| 9 | Duckbill Housing |
| 10 | Bottom Housing Assembly (includes Soap Bottle) |
| 11 | (3) Fiber Optic Cables for Sensor and LED Light Pipe |
| 12 | Fiber Optic Connector Tip Assembly |
| 13 | Fiber Optic Nut |
| 14 | Portion Control Knob |
| 15 | Automatic System Flush Button |
| 16 | Key Hole |
| 17 | BobKey |
| 18 | Fiber Optic Cable Cover |
| 19 | A/C Adapter Kit with U.S. Plug, Order Part No. 3974-57.
Optional: International AC Adapter Plug Kit (UK, Europe Australia) 3974-55 |



Note:

* All information of the above is for the reference only. No prior notice is made if any changes.

Source: Bobrick Washroom Equipment Inc.